

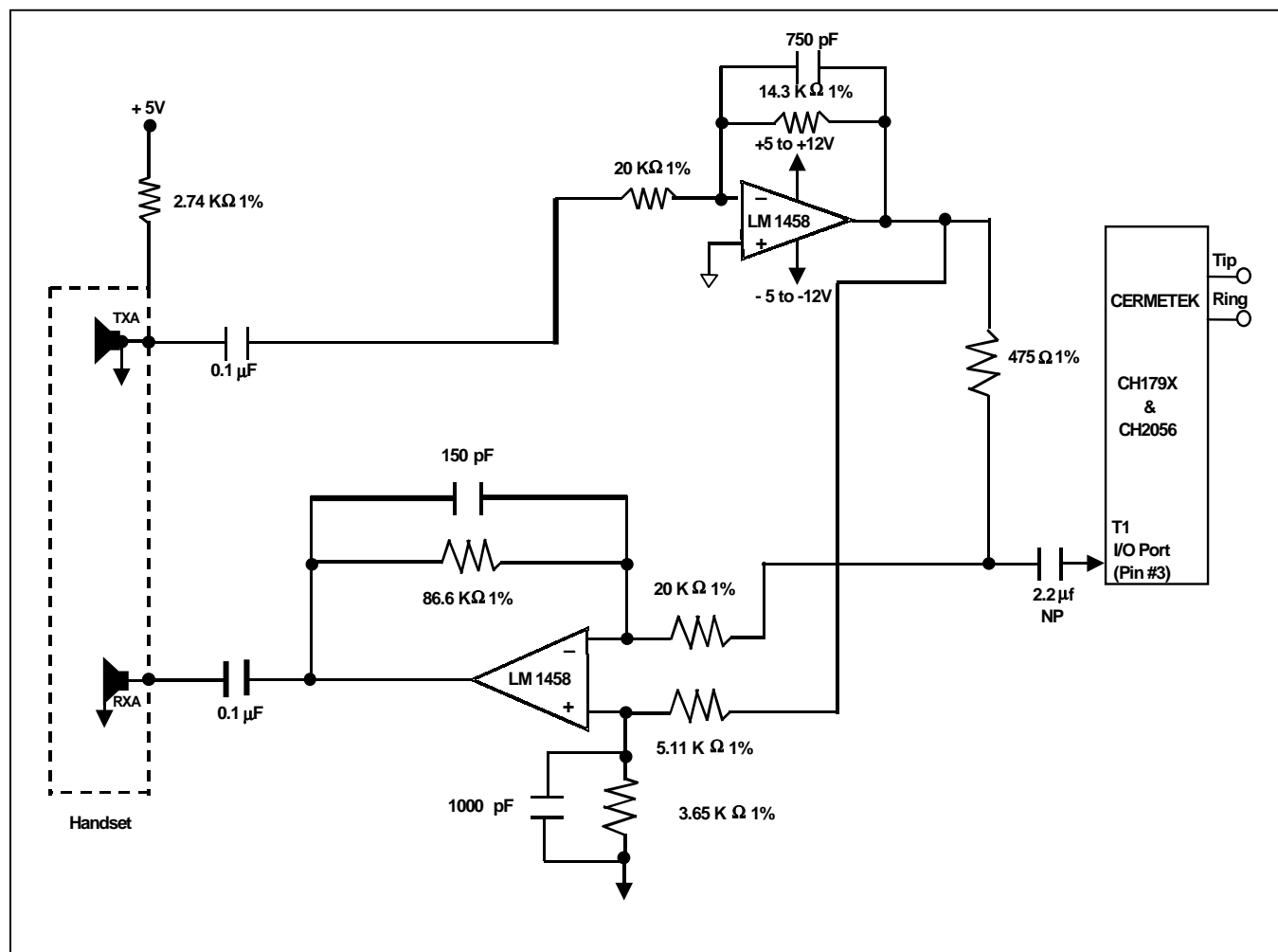
Application Note #170: 2-4 Wire Converter for use with CH179X and CH2056

INTRODUCTION

This application note describes an alternative two to four wire converter circuit utilizing dual supply operational amplifiers. Although dual supply operational amplifiers increase system complexity by requiring a second supply, they have the advantage of providing a wider range of input and output signals when compared to the single supply operational amplifier scheme currently featured in Cermetek's CH179X/CH2056 data sheets.

The schematic in Figure 1 below can be used interchangeably with the one found in the Cermetek data sheet, "High Speed Modem and FAX Family."

Figure 1. Schematic illustrating a two to four wire converter circuit utilizing dual power supply LM 1458 operational amplifiers.



Cermetek reserves the right to make changes in specifications at any time and without notice. The information furnished by Cermetek in this publication is believed to be accurate and reliable. However, Cermetek assumes no responsibility for its use, or for any infringements of patents or other rights of third parties resulting from its use. No license is granted under any patents or patent rights of Cermetek.

Printed in U.S.A

[406 TASMAN DRIVE](#) | [SUNNYVALE CA 94089](#) | [LOCAL: 408-752-5000](#) | [TOLL FREE: 1-800-882-6271](#)

FAX: 408-752-5004 | WEB SITE: <http://www.cermetek.com> | EMAIL: sales@cermetek.com