

World's Smallest Complete V.92 Modem

Description

The Xecom XE5692G provides a complete, global V.92 modem in PLCC-68 compatible package. It is the first V.92 modem in surface-mount package. Xecom designed the XE5692G as an easily integrated communications solution for embedded systems.

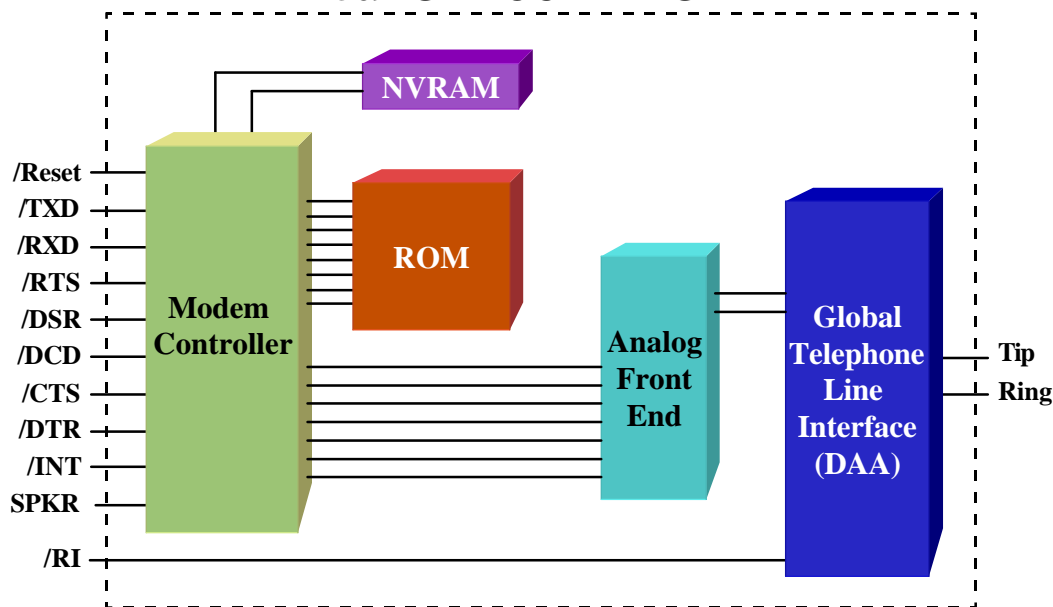
Xecom supplies the XE5692G with transferable FCC Part 68 Registration. This allows the embedded system designer to add modem communications to his process control, remote monitoring, point-of-sale, or remote diagnostic system without additional FCC testing. The XE5692G also meets the requirements for connection to most of the world's telephone systems.

Only Xecom offers a surface-mount, modular V.92 solution. The XE5692G package is also the smallest V.92 modem. Xecom also offers a pin compatible modules supporting V.90 (XE5690G) and V.22bis (XE2420G) providing the flexibility to switch modem modules to meet changing market requirements.

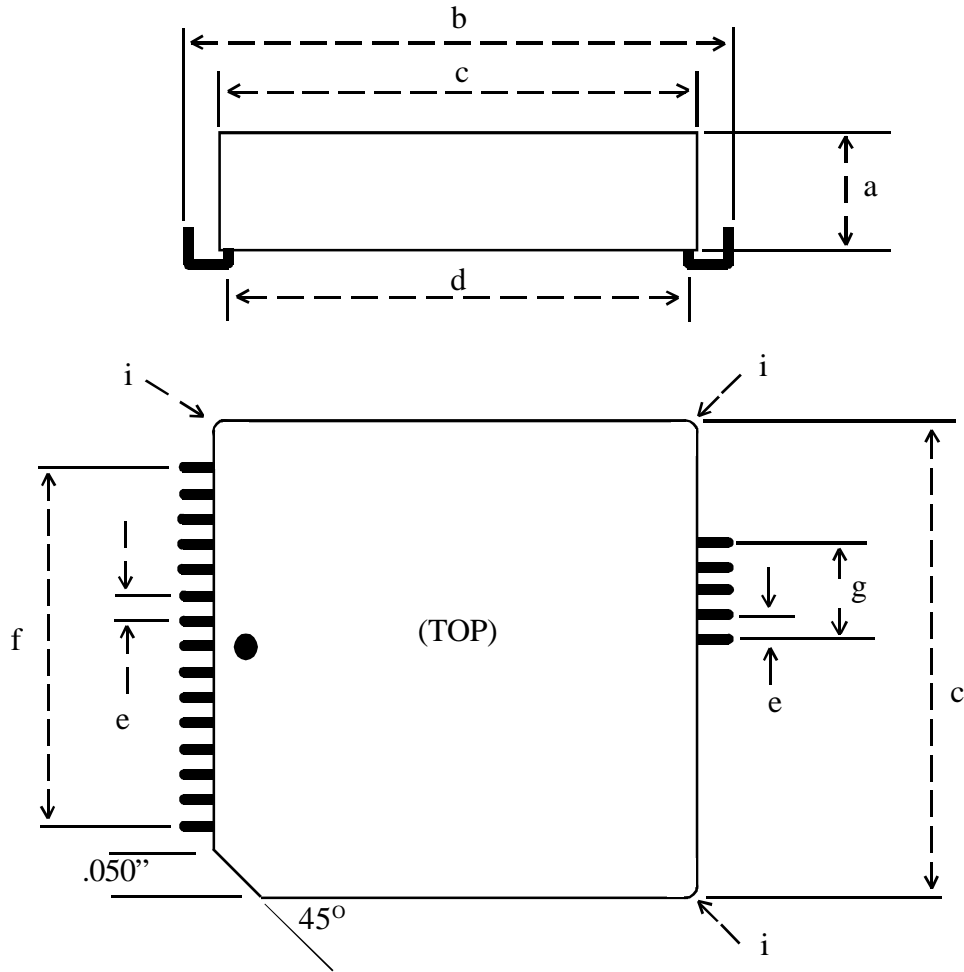
Features

- * Small Size: HyPLCC™ measures less than 1 inch by 1 inch and is just 0.29 inches thick
- * Data transfer at rates from 300 bps to 56 kbps.
- * Full V.92 support including Quicker Connect; PCM Upstream and V.44 error correction
- * Modem Control and Configuration via industry standard AT Commands.
- * 3.3 and 5 volt compatible Serial Interface
- * Supports V.42 error correction and V.44 data compression.
- * Shared Line Features prevent modem operation from interfering with voice communications.
- * Nonvolatile memory stores modem configuration.
- * Complete integrated DAA.
- * User Transferrable FCC Part 68 Registration
- * Complies with telephone networks around the world.
- * UL60950 Recognition
- * Low Power operation, 3.3 Volts, 100 milliwatts;

XE5692G BLOCK DIAGRAM

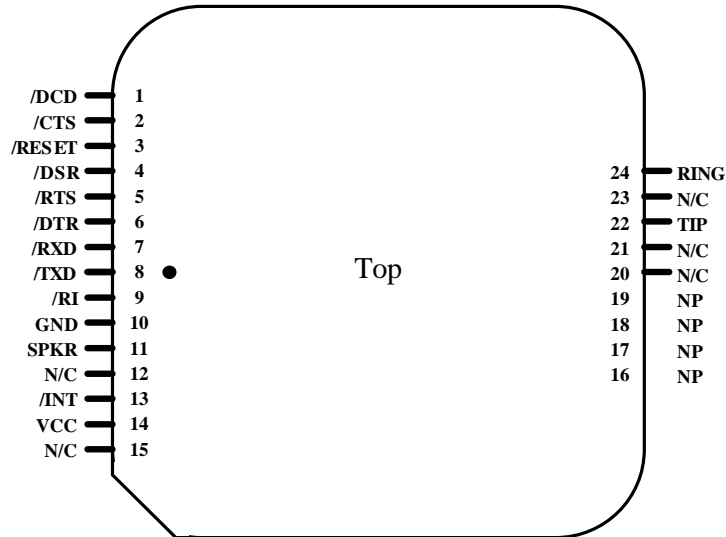


XE5692G Mechanical Specifications



Dimension	Inches			Millimeters		
	Min	Typ	Max	Min	Typ	Max
a	0.280	0.285	0.290	8.76	8.89	9.02
b	0.985	0.990	0.995	25.02	25.15	25.27
c	0.950	0.955	0.960	24.13	24.26	24.38
d	0.910	0.920	0.930	23.11	23.37	23.62
e	0.045	0.050	0.055	1.15	1.27	1.40
f	0.695	0.700	0.705	17.65	17.78	17.91
g	0.195	0.200	0.205	10.03	10.16	10.29
i(radius)	0.015	0.020	0.025	0.13	0.25	0.38

XE5692G Pin Configuration



Pin Descriptions

PIN	NAME	DESCRIPTION
1	/DCD	/DCD is an active low output from the modem. /DCD indicates the presence of a valid carrier signal.
2	/CTS	/CTS is an active low output from the modem. When hardware flow control is active, the modem asserts /CTS to indicate that it can accept data from the terminal equipment on /TXD.
3	/RESET	/RESET is an active low input which initiates a modem hardware reset. /RESET must be active for a minimum of 100 milliseconds for a proper modem reset sequence. No external reset is required; if none is used, the /RESET signal should be left open.
4	/DSR	DSR is forced active within the XE5692G module.
5	/RTS	/RTS is an active low input to the modem. When hardware flow control is active, /RTS indicates to the modem that the host has data to send.
6	/DTR	/DTR is an active low input to the modem. The operation of /DTR is controlled by bit 15 of register U70 and is normally disabled. When enabled, /DTR indicates the Host is ready to communicate., and if /DTR is removed while the modem is on-line, the modem exits data mode and enter command mode.
7	/RXD	/RXD provides the path for received data and modem responses to be sent from the modem to the host terminal equipment.
8	/TXD	/TXD provides the path for transmitted data and modem commands to be passed from the host terminal equipment to the modem.

XE5692G Pin Descriptions (continued)

PIN	NAME	DESCRIPTION
9	/RI	The /RI signal reports on the presence of an incoming ring signal. When a ring occurs across Tip and Ring, the /RI output goes low and toggles with the cadence of the ring signal.
10	Ground	Ground provides the reference voltage for all host interface signals.
11	SPKR	SPKR allows connection of a speaker to monitor modem operations. SPKR cannot directly drive a speaker. An amplifier with a minimum input impedance of 300 ohms is required. The signal on SPKR is controlled by the ATM command.
12	N/C	No internal connection
13	/INT	/INT provides an active low hardware interrupt signal from the XE5692G. The operation of this interrupt pin is programmable using the modem's register U70.
14	VCC	VCC provides 3.3 volt power to the modem.
15	N/C	No internal connection
16-19	NP	No Pin
20-21	N/C	No internal connection
22	Tip	<p>The Ring and Tip signals provide modem the connection to the telephone line. FCC Part 68 Rules require a 1500 volt isolation barrier between the telephone line and all other circuits. This isolation must be preserved throughout the system.</p> <p>The telephone company places a DC "Battery" voltage across Tip and Ring on all public switched telephone lines. The XE5692G will operate regardless of the polarity of this "Battery" voltage. The "Battery" voltage drives up to 100 milliamps of DC loop current.</p> <p>UL60950 requires minimum creepage and clearances distances be maintained between the Tip and Ring traces and all other circuits. Clearance is the shortest distance between conductive circuits; creepage is the distance between conductive surfaces along the surface</p>
23	N/C	No internal connection, To prevent damage in case of voltage surges on the telephone line, we recommend that nothing be connected to this pin.
24	Ring	<p>The Ring and Tip signals provide modem the connection to the telephone line. FCC Part 68 Rules require a 1500 volt isolation barrier between the telephone line and all other circuits. This isolation must be preserved throughout the system.</p> <p>The telephone company places a DC "Battery" voltage across Tip and Ring on all public switched telephone lines. The XE5692G will operate regardless of the polarity of this "Battery" voltage. The "Battery" voltage drives up to 100 milliamps of DC loop current.</p> <p>UL60950 requires minimum creepage and clearances distances be maintained between the Tip and Ring traces and all other circuits. Clearance is the shortest distance between conductive points along the surface.</p>

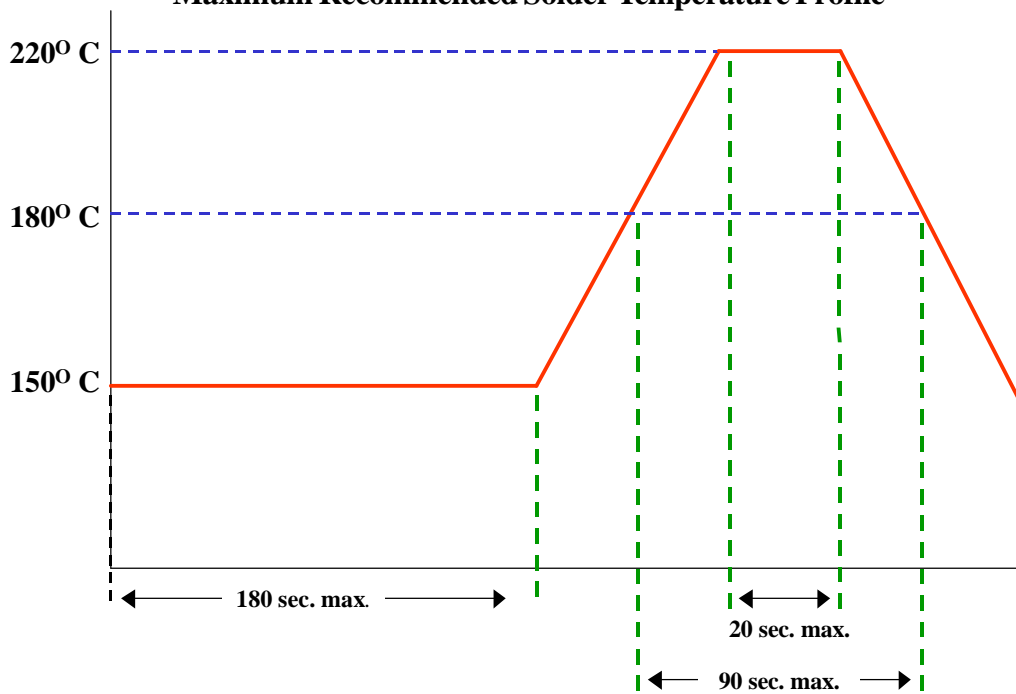
NOTE: Although the XE5692G is a 3.3 volt device all serial inputs are 5 volt tolerant.

XE5692G Soldering Instructions

The XE5692G is subject to damage if overexposed to heat during solder reflow operations. Following the soldering instructions below will ensure that the process of soldering the module to the board does not damage the modem. The XE5690G must not be exposed to direct Infrared (IR) heating. If your process includes direct IR heating, you must shield the XE5692G from the infrared rays.

Maximum Temperature	220° C
Maximum Time at 220° C	20 Seconds
Maximum Time above Eutectic (180° C)	90 Seconds
Maximum Preheat Dwell Time	180 Seconds

Maximum Recommended Solder Temperature Profile



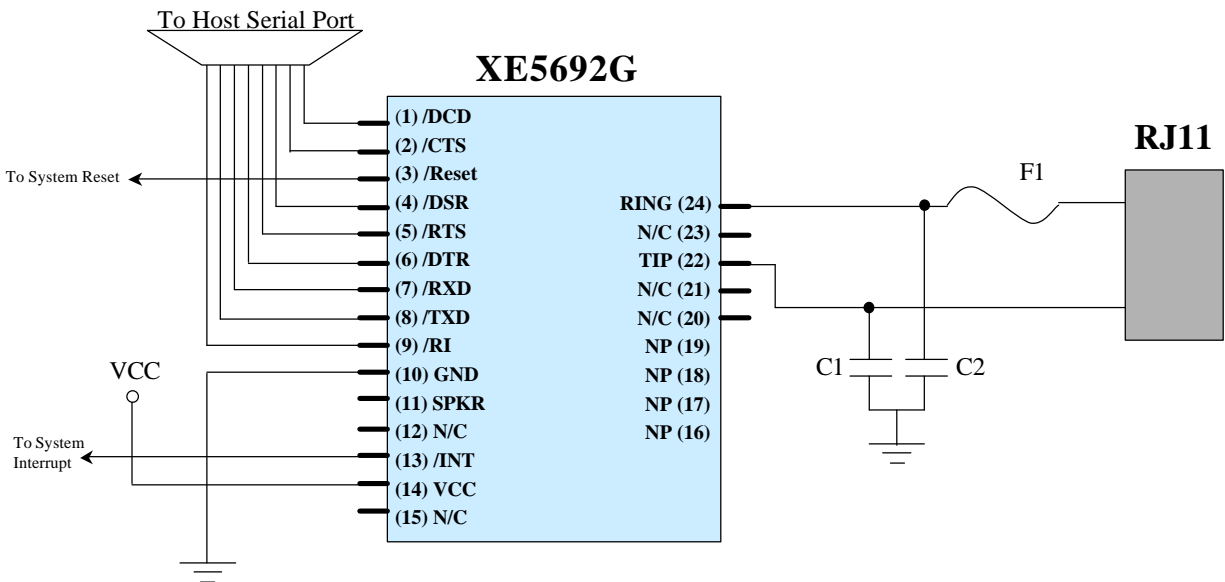
XE5692G Electrical Specifications

Parameter	Min	Typ	Max	Units	Comments
VCC	3.0	3.3	3.6	Volts	
ICC		30	35	mA	On Line
		5		mA	Sleep
		0.17		mA	Power Down mode
Ring Voltage Detected	26		150	VRMS	Type B Ringer
Ring Frequency Detected	15.3		68	Hz	Type B Ringer
Telephone Loop Current	10	40	100	ma	
Line Impedance		600		Ohms	
Data Transmit level		-12.0	-9.0	dBm	
DTMF Transmit Level		-2.5	0	dBm	Avg over 3 second interval
Voh	2.4		3.3	Volts	
Vol			0.4	Volts	
Vih	2.0		5.0	Volts	
Vil	-0.3		0.8	Volts	

XE5692G ABSOLUTE MAXIMUM RATINGS

VCC	4.1 Volts
Storage Temperature	-25° C to +85° C
¹ Maximum Operating Temperature Range	0° C to +70° C
Maximum Time Above Eutectic (183° C)	90 seconds
Preheat Dwell Time	120 to 180 seconds
¹ The XE5692G can be ordered with an Operating Temperature of -40° C to +85° C at extra cost. Order XE5692G-ITR or to specify Industrial Temperature Range (ITR).	

XE5692G Typical Connection Diagram



Parts List for XE5692G Typical Connection Diagram

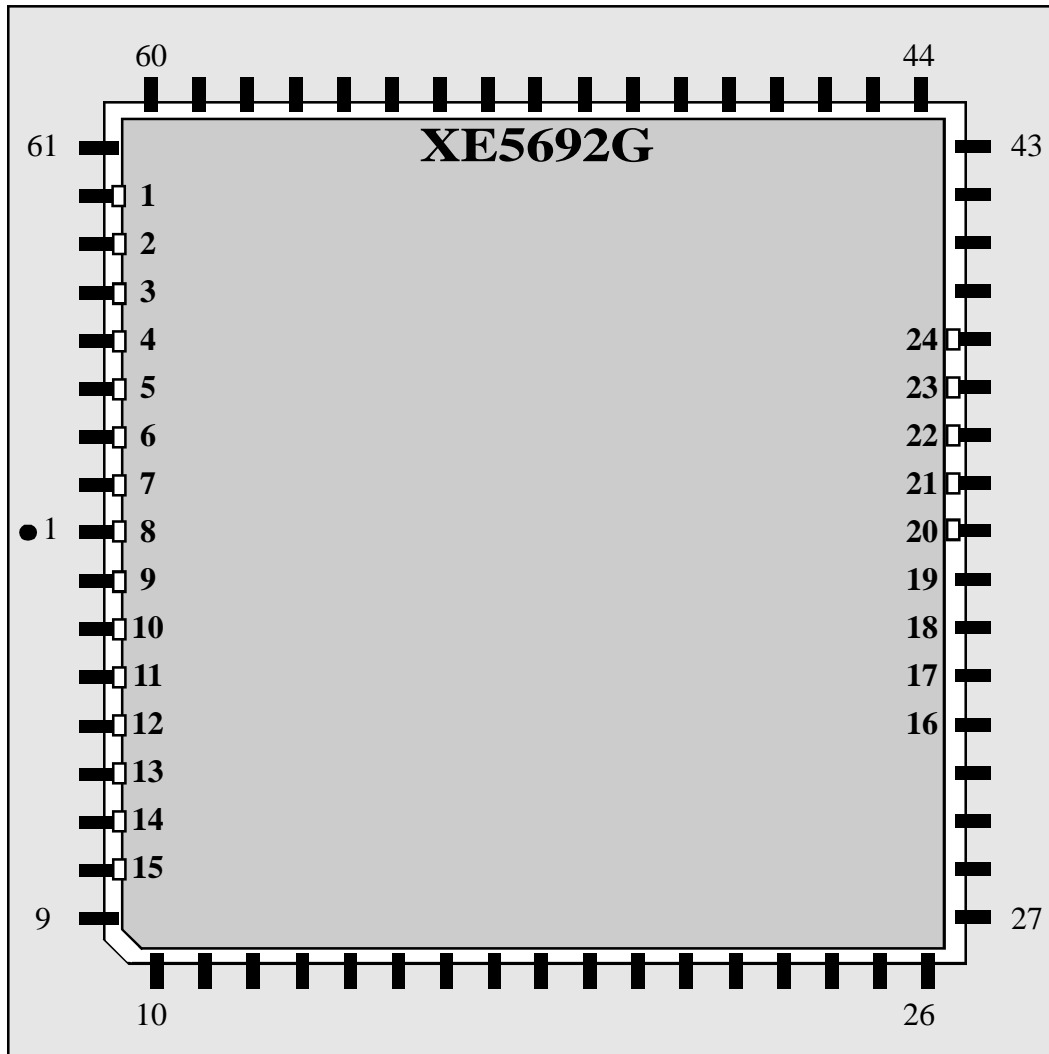
Reference Designation	Qty	Description
C1, C2	2	Cap. 1000 pfd, 1500V minimum
F1	1	PTC, TR600-150

Notes:

- Capacitors, C1 and C2, may be required for EMI filtering in your system. Without these components you may experience unintended radiation when the telephone cable is attached. C1 and C2 are high-voltage capacitors. We recommend the Novocap LS1808N102K302NX080T. This 1000 pfd, 3000 volt capacitor will direct the high frequency harmonics to the system ground. These capacitors must be rated at a minimum of 1500 volts to maintain the isolation required by FCC Part 68 Rules.
- F1 is a positive thermal coefficient (PTC) device which protects the modem from excessive current flow. These devices are required for your system to pass UL60950. Fuses may be used in place of the PTC's

Application Note: Using a 68-Pin PLCC Socket

The XE5692G can be inserted into a socket for a 68-pin PLCC device. The HyPLCC package uses only 20 pins; 15 on one side and 5 on the opposite side. Alignment within the socket is critical for all pins of the XE5692G to make contact with the appropriate pins of the PLCC socket. The drawing below illustrates how the XE5692G fits into the 68-pin PLCC socket. Emulation Technology's S-SMT-17-068-A socket is representative of sockets that can be used with the XE5692G.



XE5692G Shared Line Features

The XE5692G includes the ability to monitor telephone line conditions before, after and during calls. This allows the XE5692G to avoid conflicts with other equipment connected to the telephone line. There are two modes of operation for the XE5692G Shared Line Features; Connect Detect and Handset Interrupt.

Connect Detect:

The Connect Detect mode is active when the XE5692G is on-hook. With AT%V2 selected the XE5692G verifies the availability of the telephone line by checking the DC loop voltage before going off-hook for dialing or answering a call. The nominal value of loop voltage is stored in register U85, typically 48 volts. The XE5692G can detect either the lack of a telephone line connection or that the connected line is in use.

NO LINE If the telephone line has been disconnected from the modem, the voltage on Tip and Ring will approach 0 volts. If the modem reads a DC loop voltage of around 3 volts or less, the modem will not go off-hook and will issue the “NO LINE” response.

LINE IN USE If a telephone handset, fax machine or other piece of equipment connected to the telephone line is in use, the DC loop voltage will drop. Typically the DC loop voltage will be between 5 and 12 volts while any pieces of equipment is using the telephone line. If the modem sees a DC loop voltage between about 3 volts and 85% of the nominal loop voltage, the modem will not go off-hook but will transmit the “LINE IN USE” response

If neither the No Line or Line in Use conditions is true, the XE5692G goes off-hook and completes the original command as requested.

Handset Interrupt:

The Handset Interrupt feature permits the modem to yield the telephone line to another piece of equipment connected to the same telephone line. This prevents the XE5692G from blocking outgoing emergency calls when the line is shared in a residential application. Handset Interrupt is accomplished by monitoring the loop current through the modem while it is off-hook. Loop current drops when another piece of equipment goes off-hook on the same telephone line.

Handset Interrupt function is controlled by registers U77 and U78. U78 defines when the Handset Interrupt is operable and U77 allows the operator to configure the modem to disconnect immediately upon detecting another piece of equipment on the telephone line.

U77 Bit 11 of U77 permits the XE5692G to be set to automatically disconnect any time another piece of equipment connects to the line while the XE5692G is off-hook. This configuration is recommended when the modem will be sharing a line with a telephone handset as it provides the quickest access to the phone line for emergency calls. If U77 bit 11 is not set, then U70 bit 10 should be. U70 bit 10 causes the modem to provide an interrupt when the parallel line seizure is detected.

U78 Bits 14 and 15 of U78 control when the Handset Interrupt will be active.

- If both bits are reset Handset Interrupt is disabled.
- If only bit 14 is set, the XE5692G will begin monitoring the line for a Handset Interrupt as soon once dialing is completed.
- If only bit 15 is set, the XE5692G activate the Handset Interrupt function when the timer set by bits 0 to 7 expires. Bits 0-7 set this timer in 500 millisecond increments.
- If both bits 14 and 15 are set, the XE5692G starts the Handset Interrupt monitoring after the modem handshake is completed.

XE5692G AT Commands

The XE5692G uses "AT" commands for configuration and control. This section describes the AT command format and lists the AT commands, registers and result codes. XE5692G "AT" commands have two operational modes; command mode and data mode.

Data Mode: The XE5692G enters data mode after it connects to a remote modem and issues the appropriate result code. In the data mode the modem sends all data presented on Transmit Data (/TXD) to the remote modem and puts data from the remote modem onto Received Data (/RXD). When the modem exits data mode, it issues a "NO CARRIER" result code.

Command Mode: The XE5692G enters command mode on power-up, reset, a lost connection, or receipt of the escape code. In command mode the modem accepts commands from the host on transmit data. Appropriate result codes are returned on received data.

Command Line Format

Command lines issued to the modem follow a strict format. Each command begins with the prefix AT. The command buffer stores the command line and executes it upon receipt of a carriage return. Until executed, the command line can be edited with the backspace key.

Command Prefix - Each command, except the A/ command, begins with the AT prefix. The "A" and "T" may be both upper case or both lower case but cannot be of different cases. The prefix identifies the speed and parity of the commands sent to the modem. The modem determines data rate by measuring the width of the incoming bits. Parity is determined by comparing the parity bits of the "A" and the "T."

Command Line - Commands may be strung together in a single command line of up to 48 characters. Commands are executed in the sequence they appear. Spaces may be inserted into the command line but do not fill space in the command buffer. If the command buffer overflows, the modem issues an "ERROR" result code and commands are not executed. A carriage return terminates the command line and causes the commands to be executed. Register S3 allows the user to select a character other than a carriage return to terminate the command line.

Command Line Editing - The backspace edits a command line before it is executed. The backspace key, (Control and H simultaneously on some systems), erases the previous character in the command line. Register S5 allows the user to select a character other than a backspace to edit the command line.

Re-Execute Last Command - The A/ command causes the modem to re-execute the last command line. This is the only command which does not require the "AT" prefix.

Omitted Parameters - Most commands include a parameter which determines how the functions will be set. When the command parameter is omitted from the command string, it is assumed to be a 0.

Escape Characters - A 3 character escape sequence may be entered to switch the modem into command mode while on line. The escape character, set by Register S2, must be entered 3 times in succession to execute the escape. An AT command must then be entered within the period defined by S12 to enter command mode. The default escape sequence is "+++."

Result Codes - The modem issues a result code after each action. Result codes may be sent as full words, one or two digit numeric codes, or may be disabled all together. Each result code ends with a carriage return when numeric result codes are chosen. When full word result codes are chosen, a Line Feed and Carriage Return precede and follow each result code.

XE5692G Boot Command

The XE5692G allows a default command string to be automatically loaded into the modem on power-up or modem reset. A series of commands loads the default command string in Hex form into the modem's EEPROM. The EEPROM has 256 bytes available for command storage.

The sequence to load the default commands into EEPROM must begin with the Boot command and ends with a double carriage return. All commands are loaded into the EEPROM in Hex form beginning with address M0000. Up to 8 addresses may be loaded with each command in the sequence.

The following example uses a typical configuration for an embedded application. ATE0 disables command echo; ATQ1 disabled modem responses, and ATS0=1 sets the modem to automatically answer on the first ring. This sequence is loaded into the modem EEPROM with the Boot command using the command sequence below. This places the modem into the desired configuration each time power is applied or the modem is reset

Boot Command Sequence

Command	Description
AT:M0000,42,4F,4F,54,0D,41,54,45	Load characters "B,O,O,T,<CR>,A,T,E" in EEPROM beginning at address M0000
AT:M0008,30,0D,41,54,51,31,0D,41	Load characters "0,<CR>,A,T,Q,1,<CR>,A" in EEPROM beginning at address M0008
AT:M0010,54,53,30,3D,31,0D,0D	Load characters "T,S,0,=,1,<CR>,<CR>" in EEPROM beginning at address M0010

XE5692G AT Commands

An asterisk indicates the factory default

\$ - Display current AT settings.

A - Answer Command -

D - Dial Command -

0-9, A-D, #, * = Dialing Digits

P = Pulse dial

T = Tone dial

W = Wait for dial tone

, = Pause for the duration of S8

! = Switch hook flash

; = Return to the command state

En - Command Echo

n=0 Do not echo commands

n=1 Enable command echo *

Hn - Switch Hook Control -

n=0 Switch hook relay opens

n=1 Switch hook relay closes

In - Modem Identification

Mn - Speaker Activity -

n=0 Speaker off *

n=1 Speaker on until carrier received

n=2 Speaker remains on

n=3 Speaker on after dialing until DCD detected.

On - On Line

n=0 Return On Line with no retrain *

n=1 Initiate retrain while returning On line.

n=2 Initiate rate renegotiation while returning On line.

Qn - Responses

n=0 Send responses *

n=1 No Responses

R- V.23 reversal -

Sr? - Interrogate Register -

Sr=n - Set Register Value -

S\$ - List values of all S-Registers -

Vn - Result Codes -

n=0 Numeric Result Codes

n=1 English Word Result Codes*

Xn - Result Code Set -

n=0 Responses 0-4

n=1 Responses 0-5 & 10

n=2 Responses 0-6 & 10

n=3 Responses 0-5, 7 & 10

n=4 Responses 0-8 & 10*

n=5 All Responses

Yn - Long Space Disconnect -

n=0 Disabled*

n=1 Modem disconnects on receipt of 1.5 seconds of continuous Space.

Z - Reset -

&Gn - Maximum Data Rate Selection

n=3 1200 bps

n=4 2400 bps

n=5 4800 bps

n=6 7200 bps

n=7 9600 bps

n=8 12,000 bps

n=9 14,400 bps *

n=10 16,800 bps

n=11 19,200 bps

n=12 21,600 bps

n=13 24,000 bps

n=14 26,400 bps

n=15 28,800 bps

n=16 31,200 bps

n=17 33,600 bps

&Hn - Protocol Selection

n=0 V.90 with automatic fallback to 300 bps *

n=1 V.90 with fallback to 28,800 bps

n=2 V.34 with automatic fall back to 300 bps

n=3 V.34 only (33,600 bps to 2400 bps)

n=4 V.32bis with automatic fallback to 300 bps

n=5 V.32bis only (14,400 to 4800 bps)

n=6 V.22bis (2400 or 1200 BPS)

n=7 V.22 (1200 BPS)

n=8 Bell 212 (1200 BPS)

n=9 Bell 103 (300 BPS)

n=10 V.21 (300 BPS)

n=11 V.23 (1200/75 BPS)

&\$ - Display current AT& settings.

XE5692G AT Commands

&Tn - Modem Test Modes

- n=0 Cancel Test Mode
- n=3 Initiate Analog Loopback

&Z - Enable Sleep Mode; wake on incoming Ring signal

%B - Report Blacklisted Numbers

%C - V.42bis Data Compression

- n=0 Data Compression Disabled
- n=1 Bidirectional Data Compression Enabled *
- n=2 Data Compression Transmit Only
- n=3 Data Compression Receive Only

%On - Answer Mode

- n=1 Answer in Answer Mode *
- n=2 Answer in Originate Mode

%Vn - Shared Line Use

- n=0 No automatic detection of local line status *
- n=2 Check line voltage before going off-hook. Issue "NO LINE" response if line is unavailable and "LINE IN USE" if line is off hook.

%%\$ - Display current AT% settings.

\Bn - Character Length

- n=0 6N1; 6 data bits, no parity, 1 stop bit, 1 start bit
- n=1 7N1; 7 data bits, no parity, 1 start bit, 1 stop bit
- n=2 7P1; 7 data bits, 1 stop bit, 1 start bit, parity determined by AT\P command.
- n=3 8N1; 8 data bits, no parity, 1 stop bit, 1 start bit *
- n=5 8P1; 8 data bits, 1 stop bit, 1 start bit, parity determined by AT\P command.
- n=6 8X1; 8 data bits, 1 stop bit, 1 start bit, 1 escape bit enabling 9th bit escape mode.

\Nn - Error Control Mode

- n=0 Normal Mode
- n=2 MNP Required
- n=3 V.42 auto reliable mode *
- n=4 LAPM required for connection
- n=5 V.42 or MNP required

\Pn - Parity Setting - Parity is automatically set in autobaud mode

- n=0 Even Parity selected *
- n=1 Space Parity selected
- n=2 Odd Parity selected
- n=3 mark Parity selected

\Qn - Modem to DTE Flow Control

- n=0 No Flow Control
- n=2 CTS Flow Control only *
- n=3 RTS/CTS Flow Control
- n=4 XON/XOFF Flow Control

\Tn -DTE Rate

- n=0 300 BPS
- n=1 600 BPS
- n=2 1200 BPS
- n=3 2400 BPS
- n=4 4800 BPS
- n=5 7200 BPS
- n=6 9600 BPS
- n=7 12.0 KBPS
- n=8 14.4 KBPS
- n=9 19.2 KBPS
- n=10 38.4 KBPS
- n=11 57.6 KBPS
- n=12 115.2 KBPS
- n=13 230.4 KBPS
- n=14 245.76 KBPS
- n=15 307.2 KBPS
- n=16 Autobaud on AT command *
- n=17 Autobaud Off

\Vn - Connect Response

- n=0 Issue Connect and Protocol Responses *
- n=2 Issue Connect Response only

:I - Read Interrupts - Reports the lower 8 bits of User Register U70. Reading the interrupts clears them and resets the /INT pin.

:R- Read all User Registers

:Rnn - Read user Register nn

:Unn,xxxx - Write hex value xxxx to User Register nn.

Note multiple User Registers can be written in the same command line. Only the first register in the sequence must be addressed. Subsequent values will be loaded into successive registers. The :U command uses the format AT:Unn, xxxx, yyyy, zzzz, ...<CR> to load multiple registers.

+DR=n - Data Compression Reporting

- n=0 Disabled *
- n=1 Enabled

XE5692G AT Commands

+DS - V.42bis Data Compression. AT+DS controls V.42bis operations in the modem. The format for the +DS command is shown below.

AT+DS=a, b, c, d<CR>

- a - 0 - V.42bis Disabled
- 1 - V.42bis Transmit Only
- 2 - V.42bis Receive Only
- 3 - Bidirectional V.42bis
- b - 0 - V.42 not required for link
- 1 - V.42 required for link
- c - 512 to 65535 Maximum D
- d - 6-250 maximum String

+DS44 - V.44 Data Compression. AT+DS44 controls V.44 operations in the modem. The format for the +DS44 command is shown below.

AT+DS44=a, b, c, d, e, f,g,h,i<CR>

- a - 0 - V.44 Disabled
- 1 - V.44 Transmit Only
- 2 - V.44 Receive Only
- 3 - Bidirectional V.44
- b - 0 - V.42 not required for link
- 1 - V.42 required for link
- c - 0 - Stream Method
- 1 - Packet Method
- 2 - Multi-Packet Method
- d - Maximum Codewords Tx; 256 to 65536
- e - Maximum Codewords Rx; 256 to 65536
- f - Maximum TX String; 32-255
- g - Maximum RX String; 32-255
- h - Maximum Transmit History; 512
- i - Maximum Transmit History; 512

AT+GCI? - Report Country Configuration

AT+GCI=n - Country Configuration

- 0 = Japan
- 9 = Australia
- A = Austria
- F = Belgium
- 16 = Brazil
- 1B = Bulgaria
- 20 = Canada
- 26 = China
- 27 = Columbia
- 2E = Czech Republic
- 31 = Denmark
- 35 = Equador
- 3C = Finland
- 3D = France
- 42 = Germany
- 46 = Greece
- 50 = Hong Kong
- 51 = Hungary
- 53 = India
- 57 = Ireland
- 58 = Israel
- 59 = Italy
- 61 = South Korea
- 69 = Luxembourg
- 6C = Malaysia
- 73 = Mexico
- 7B = Netherlands
- 7E = New Zealand
- 82 = Norway
- 87 = Paraguay
- 89 = Philippines
- 8A = Poland
- 8B = Portugal
- 9C = Singapore
- 9F = South Africa
- A0 = Spain
- A5 = Sweden
- A6 = Switzerland
- B4 = United Kingdom
- B5 = United States *
- B8 = Russia
- FE = Taiwan

+MR=n - Modulation Reporting - AT+MR command

determines if the modulation code will be reported during the link negotiations.

- n=0 Disabled *
- n=1 Enabled

XE5692G AT Commands

+MS - Select Modulation - AT+MS sets the modulation and data rates to be supported by the modem. The format for the +MS command is shown below.

AT+MS=a, b, c, d, e, f<CR>

a - modulation type

V21 - V.21 (300 BPS)

V22 - V.22 (1200 BPS)

V22B - V.22bis (1200 or 2400 BPS)

V32 - V.32 (4800 or 9600 BPS)

V32B - V.32bis (4800 to 14,400 BPS)

V34 - V.34 (16,800 to 33,600 BPS)

V90 - V.90 (to 56,000 BPS)

V92 - V.92 (to 56K BPS)

b - Automode Detection

0 - Automatic Negotiation Disabled

1 - Automatic Negotiation Enabled

c - Minimum Receive Data Rate (300 to 56000 BPS)

d - Maximum Receive Data Rate (300 to 56000 BPS)

e - Minimum Transmit Data Rate (300 to 56000 BPS)

f - Maximum Transmit Data Rate (300 to 56000 BPS)

+PCW=n - Call Waiting

n=0 Toggle /RI collect CID information if enabled

n=1 Modem Disconnect

n=2 Ignore Call Waiting *

+PIG=n - PCM Upstream Data - AT+PIG command selects the PCM Upstream Data option

n=0 PCM Upstream Enabled *

n=1 PCM Upstream Disabled

+VCID=n - Caller ID Enable

n=0 No Caller ID *

n=1 Formatted Caller ID Data presented

n=2 Row Caller ID Data presented

+VCDT=n - Caller ID Type

n=0 On only after first ring *

n=1 CID Always On

n=2 UK CID Format

n=3 Japanese CID Format

XE5692G RESPONSES

<u>Digits</u>	<u>Verbose</u>	<u>Description</u>
0	OK	Command Successful
1	CONNECT	300 bps or higher connection
2	RING	Ring signal detected
3	NO CARRIER	Carrier not detected
4	ERROR	Error in command line
5	CONNECT 1200	1200 bps Connection
6	NO DIAL TONE	No dial tone detected
7	BUSY	Busy signal detected
8	NO ANSWER	Remote does not answer
9	RINGING	Ringback signal detected
10	CONNECT 2400	2400 bps Connection
11	CONNECT 4800	4800 bps Connection
12	CONNECT 9600	9600 bps Connection
14	CONNECT 19,200	19,200 bps Connection
15	CONNECT 7200	7200 bps Connection
16	CONNECT 12000	12,000 bps Connection
17	CONNECT 14400	14,400 bps Connection
18	CONNECT 16800	16,800 bps Connection
19	CONNECT 21600	21,600 bps Connection
20	CONNECT 24000	24,000 bps Connection
21	CONNECT 26400	26,400 bps Connection
22	CONNECT 28800	28,800 bps Connection
23	CONNECT 31200	31,200 bps Connection
24	CONNECT 33600	33,600 bps Connection
30	CIDM	Caller ID Detected
31	FLASH	Hookswitch Flash detected
32	STAS	UK Caller ID Alert detected
33	X	Over current Condition
40	BLACKLIST FULL	The buffer for storing blacklisted numbers is full
41	BLACKLISTED	Attempted Number is Blacklisted
42	NOLINE	No Telephone line is connected to the modem
43	LINE IN USE	The attached Telephone line is in use
52	CONNECT 56000	56,000 bps Connection
60	CONNECT 32000	32,000 bps Connection
61	CONNECT 48000	48,000 bps Connection

XE5692G RESPONSES

<u>Digits</u>	<u>Verbose</u>	<u>Description</u>
63	CONNECT 28000	28,000 bps Connection
64	CONNECT 29333	29,333 bps Connection
65	CONNECT 30666	30,666 bps Connection
66	CONNECT 33333	33,333 bps Connection
67	CONNECT 34666	34,666 bps Connection
68	CONNECT 36000	36,000 bps Connection
69	CONNECT 37333	37,333 bps Connection
70	PROTOCOL:NONE	No Link Protocol negotiated
77	PROTOCOL V.42	V.42 error correction protocol negotiated
79	PROTOCOL V.42bis	V.42bis data compression protocol negotiated
80	PROTOCOL: ALTERNATE, + CLASS 2	MNP2 error correction negotiated
81	PROTOCOL: ALTERNATE, + CLASS 3	MNP3 error correction negotiated
82	PROTOCOL: ALTERNATE, + CLASS 4	MNP4 error correction negotiated
83	PROTOCOL: ALTERNATE, + CLASS 5	MNP5 error correction negotiated
90	CONNECT 38666	38,666 bps Connection
91	CONNECT 40000	40,000 bps Connection
92	CONNECT 41333	41,333 bps Connection
93	CONNECT 42666	42,666 bps Connection
94	CONNECT 44000	44,000 bps Connection
95	CONNECT 45333	45,333 bps Connection
96	CONNECT 46666	46,666 bps Connection
97	CONNECT 49333	49,333 bps Connection
98	CONNECT 50666	50,666 bps Connection
99	CONNECT 52000	52,000 bps Connection
100	CONNECT 53333	53,333 bps Connection
101	CONNECT 54666	54,666 BPS Connection
102	UN-OBTAINABLE NUMBER	DTMF Dial attempt on Pulse only Line
	+DR:NONE	Data Compression not in use
	+DR:V.42B	Bidirectional V.42bis Data Compression
	+DR:V.42B RD	V.42bis Data Compression on Received direction only
	+DR:V.42 TD	V.42bis Data Compression on Transmit direction only
	+DR:V.44	Bidirectional V.44 Data Compression
	+DR:44 RD	V.44 Data Compression on Received direction only
	+DR:V.44 TD	V.44 Data Compression on Transmit direction only

XE5692G REGISTER SETTINGS

- S0 Answer on nth Ring:** S0 sets the modem to automatically answer on the nth ring. Setting S0 to 0 disables automatic answer.
Range: 0 to 255
Units Rings
Default 0
- S1 Ring Count:** S1 is a read-only register showing the number of rings detected. If a ring is not detected within 8 seconds, S1 is reset to zero.
Range: 0 to 255
Units Rings
Default 0
- S2 Escape Character:** S2 determines the ASCII escape character. Values of 0-127 select valid characters; values from 128 to 255 disable the escape sequence.
Range: 0 to 255
Units ASCII Character
Default 43 (+)
- S3 Line Termination Character:** S3 determines the ASCII character which will terminate commands and modem responses.
Range: 0 to 127
Units ASCII Character
Default 13 (Carriage Return)
- S4 Line Feed Character:** S4 sets the ASCII character to act as a line feed character in modem responses.
Range: 0 to 127
Units ASCII Character
Default 10 (Line Feed)
- S5 Backspace Character:** S5 defines the ASCII character used as a backspace to edit the command line.
Range: 0 to 127
Units ASCII Character
Default 8 (Back Space)
- S6 Dial Tone Wait Time:** S6 determines how long the modem waits for dial tone before dialing. The Dial Tone Wait Time cannot be set to less than two seconds.
Range: 0 to 255
Units Seconds
Default 2
- S7 Wait for Carrier after Dialing:** S7 determines how long the modem waits for a valid carrier signal after dialing.
Range: 0 to 255
Units Seconds
Default 80
- S8 Comma Pause Time:** S8 defines the duration of the pause initiated by a comma in the dialing string. The pause is generally used when waiting for a second dial tone.
Range: 0 to 255
Units Seconds
Default 2
- S9 Carrier Detect Response Time:** S9 establishes the length of time the remote modem's carrier must be present to be recognized as valid.
Range: 1 to 255
Units 0.1 Seconds
Default 6
- S10 Carrier Off Disconnect Delay:** S10 selects how long carrier must be lost before the modem disconnects.
Note: If S10 is smaller than the value of S9 or S10 is set to 255, the modem will not automatically disconnect on any loss of carrier.
Range: 1 to 255
Units 0.1 Seconds
Default 14
- S12 Escape Code Guard Timer:** S12 sets the escape sequence guard timer. If characters are received before or after the escape sequence, within the guard timer, the modem aborts the escape attempt and remains in data mode.
Range: 10 to 255
Units 0.02 Seconds
Default 50
- S14 Wait for Dial Tone Delay:** S14 determines how long the modem will wait for dial tone when the W dial modifier is used.
Range: 0 to 255
Units Seconds
Default 12

XE5692G REGISTER SETTINGS

- S24 **Sleep Inactivity Timer:** S24 determines the length of inactivity before the modem enters sleep mode. When set to 0, sleep mode is disabled.
 Range: 0 to 255
 Units: Seconds
 Default: 0
- S30 **Disconnect Inactivity Timer:** S30 controls how long the modem will remain on line with no data flowing. A 0 disables the inactivity time out.
 Range: 0-255
 Units: Minutes
 Default: 0
- S38 **Hang Up Delay Timer:** S38 determines the maximum delay between receipt of the ATH0 command and modem disconnect. .
 Range: 0-255
 Units: Seconds
 Default: 20
- S40 **Test Data Pattern:** S40 sets the test pattern to be used by the AT&T4 and AT&T5 commands
 0 = All Spaces (0) *
 1 = A Marks (1)
 2 = Random Data
- S41 **V.34 Symbol Rate:** S41 sets the V.34 test pattern symbol rate to be used by the AT&T4 and AT&T5 commands
- | | | |
|---|---------------------|----------------------|
| 0 | 2400 symbols/second | 2400 to 21,600 bps |
| 1 | 2743 symbols/second | 4800 to 26,400 bps |
| 2 | 2800 symbols/second | 4800 to 26,400 bps |
| 3 | 3000 symbols/second | 4800 to 28,800 bps |
| 4 | 3200 symbols/second | 4800 to 31,200 bps |
| 5 | 3429 symbols/second | 4800 to 33,600 bps * |
- S42 **Blacklisting** - S42 controls the Blacklisting function within the XE5692G. Blacklisting regulates how frequently the modem can dial the same number. An attempt to dial beyond the limit will result in the "BLACKLISTED" result code being sent.
 S42 = 0 Disabled
 S42 = 1 Enabled
 Default: 0
- S43 **Dial Attempts before Blacklisting** - S44 determines how many dial attempts will be allowed before Blacklisting blocks a call
 Range: 0-4
 Units: Number of Calls
 Default: 4
- S44 **Blacklisting Timer** - S44 sets the duration of the Blacklisting period.
 Range: 0-255
 Units: Seconds
 Default: 180
- S50 **Minimum Off-Hook Duration** - S50 determines the minimum length of time the modem will remain off-hook. An attempt to drop the line before this timer expires, will be ignored by the modem until the timer expires.
 Range: 0-255
 Units: Seconds
 Default: 3

XE5692G User-Registers

The registers described below are controlled by the AT:U command and read with the AT:R command. The user Registers that control the modem's country configuration are described elsewhere in this data sheet.

- U65 **Modem Power Down:** U65 permits the XE5692G to enter power down mode to reduce power consumption for battery powered applications. The modem can only be awakened by applying an active Reset signal to pin 3.
AT:U65,2008 - Select Powerdown Mode
- U70 **Modem Interrupt Register:** U70 allows the user to select the events that will cause the hardware interrupt line, Pin 13, to be activated. It also stores the Interrupt status. The interrupts are cleared after this register is read.
- Bit 15 - Hardware Escape Pin
 - Bit 14 - Reserved
 - Bit 13 - Enables the on line escape sequence “+++”; Default Active!
 - Bit 12 - Caller ID activates hardware interrupt; Default Inactive!
 - Bit 11 - Activate interrupt on overcurrent detect; Default Inactive!
 - Bit 10 - Parallel handset detection activates interrupt; Default Active!
 - Bit 9 - Activate interrupt on ring detect; Default Active!
 - Bit 8 - Activate interrupt on carrier detect; Default Active!
 - Bit 7 - Reserved
 - Bit 6 - Reserved
 - Bit 5 - Reserved
 - Bit 4 - Indicates Caller ID Detected
 - Bit 3 - Indicates Overcurrent Detection
 - Bit 2 - Indicates Parallel Telephone Detection
 - Bit 1 - Indicates Ring Detection
 - Bit 0 - Indicates Carrier Detected
- U77 **Auto Disconnect on Handset Interrupt** - U77 bit 11 allows the user to configure the XE5692G to automatically disconnect on a Handset Interrupt condition.
Bits 12-15 - Reserved (Bit 14 normally active)
Bit 11 - When set the modem automatically disconnects when on a Handset Interrupt condition. This bit is reset in the default state.
Bits 0-10 - Reserved - (bits 2, 3, 4, and 5 are normally set.)
- U78 **Handset Interrupt Control** - U78 controls when the Handset Interrupt functions will be active.
Bits 14 -15 -00 - HI Disabled (default)
01 - HI Disabled during dialing
10- HI Disabled from start of dialing to expiration of Handset Interrupt timer set by bits 0 to 7 of this register
11 - Handset Interrupt Disabled until modem negotiations are complete.
Bits 8-13 - Reserved
Bits 0-7 - Handset Interrupt Timer in 500 millisecond increments. (default = 0)

FCC Instructions

The XE5692G complies with Part 68 of the FCC Rules and Regulations. With each device shipped, there is a label which contains the FCC Registration Number. The FCC Registration number incorporates the Model Number, Manufacturer Identifier, Product Type identifier and Ringer Equivalence Number (REN) for this product. You must, upon request, provide this information to your telephone company. The format of the FCC Registration Number is shown below.

FCC ID Number - pending
US:DWEMM00BXE5692G

The mounting of this device in the final assembly must be made in such a manner as to preserve the high voltage protection between the TIP/RING Connection and the rest of the system. Typically, this may be accomplished by maintaining a minimum spacing 100 mils between the TIP/RING Traces to the RJ-11C Jack and low voltage portion of the system. No additional circuitry may be attached between TIP/RING and the telephone line connection, unless specifically allowed in the rules.

The REN is useful to determine the quantity of devices you may connect to a telephone line and still have all of these devices ring when the number is called. In most, but not all areas, the sum of the RENs of all devices connected to one line should not exceed five (5.0). To be certain of the number of devices you may connect to the line, as determined by the REN, you should contact the local telephone company to determine the maximum REN for you calling area.

If your system causes harm to the telephone network, the telephone company may discontinue service temporarily. If possible, they will notify you in advance. If advance notification is not practical, you will be notified as soon as possible.

Your telephone company may make changes in its facilities, equipment, operations or procedures that could affect proper functioning of your equipment. If they do, you will be notified in advance to give you an opportunity to maintain uninterrupted telephone service.

If you experience trouble with this device, please contact XECOM at (408) 945-6640 for information on obtaining service or repairs. The telephone company may ask you to disconnect this device from the network until the problem has been corrected or until you are sure that the device is not malfunctioning.

Terms of Sale

Devices sold by XECOM are covered by the warranty provisions appearing in its Terms of Sale only. XECOM makes no warranty, express, statutory, implied, or by description regarding the information set forth herein, or regarding the freedom of the described devices from patent infringement. XECOM makes no warranty of merchantability or fitness for any purposes. XECOM reserves the right to discontinue production and change specifications and prices at any time and without notice. This product is intended for use in normal commercial applications. Applications requiring extended temperature range, unusual environmental requirements, or high reliability applications, such as military, medical life-support or life-sustaining equipment, are specifically not recommended without additional processing and authorization by XECOM for such application.

Xecom assumes no responsibility for the use of any circuitry other than circuitry embodied in a Xecom product. No other circuits, patents, or licenses are implied.

Life Support Policy

Xecom's products are not authorized for use as Critical Components in Life Support Devices or Systems.

Life Support Devices or Systems are devices or systems which, (a) are intended for surgical implant into the body, or (b) support or sustain life, and whose failure to perform, when properly used in accordance with instructions provided in the labeling, can be reasonably expected to result in significant injury to the user.

A Critical Component is any component of a life support device or system whose failure to perform can be reasonably expected to cause failure of the life support device or system, or to affect its safety or effectiveness.

Copyright, Xecom © 2004

While Xecom, Inc. has made every effort to ensure that the information presented here is accurate, Xecom will not be liable for any damages arising from errors or omission of fact. Xecom reserves the right to modify specifications and/or prices without notice. Product mentioned herein are used for identification purposes only and may be trademarks and/or registered trademarks of their respective companies.



Xecom Incorporated
374 Turquoise Street, Milpitas, CA 95035
Ph:408-942-2200 Fax:408-942-1346 E-Mail: info@xecom.com

